



space station

two tier back table

CDS-3060 Dimensions
 Main Table 30"D x 60"W x 34"H
 Top Shelf 20"D x 60"W



CDS-3072 Dimensions
 Main Table 30"D x 72"W x 34"H
 Top Shelf 20"D x 72"W

A specialty back table designed with additional room for large cases such as orthopedics, spinal fusions, neuro and craniotomies. The tuck-away cantilevered shelf holds multiple trays and is angled for clear observation of instruments.

The Space Station is easily rolled into position using 4" diameter, heavy-duty ball bearing brake/swivel casters. To lock swivel caster, simply engage the single-pedal brake.

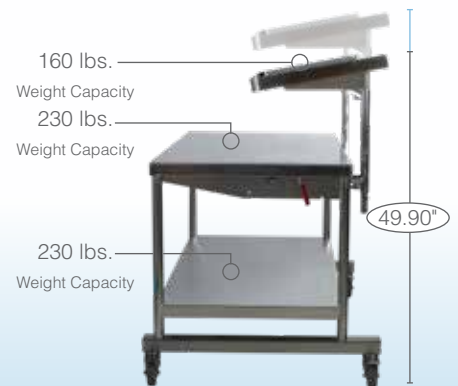
One Person Operation



Pneumatic assist enables one-person operation in raising or lowering the cantilevered shelf.



Shelf is easily raised when extra space is required, or lowered into storage position if not needed.



Cantilevered shelf features a 10° slope and has an adjustable height from 49.9" to 52.9".

trusted fit
 two-tier drapes

Disposable Table Drapes

Pedigo Trusted Fit drapes feature heavy-duty three layer construction. 12 Drapes per case.

CDS-3060-DD 5' table (1.5m)
CDS-3072-DD 6' table (1.8m)





Elevate & Illuminate Table
 CDS-3060-ADJ-E5' table (1.5m)
 CDS-3072-ADJ-E6' table(1.8m)
 Illuminate Table
 CDS-3060-L.....5' table (1.5m)
 CDS-3072-L.....6' table(1.8m)



space station

electric adjustable back table

Pedigo's **NEW** Space Station back table is now electro-hydraulically height adjustable and LED illuminated for improved visibility.

efficiency • ergonomic • safety

For patient and staff safety, the Space Station Two-Tier Back Table meets the highest hospital safety standards. IEC 60601-1 and UL approved E 503 186 approved.



Power Supply

Height Adjustment

The UP/DOWN buttons for height control are located to the left of the power supply.

Cord Loops

Power Cord

Hospital grade power cord can be wound around cord loops when not in use. Cord length measures 9' 8" (3m).

Latch Release

Pull up on the release latch to disengage and lower upper tier. Release Latches are located on either side of the table.



Casters

The Electric Adjustable Space Station features four Total Lock Casters each measuring 4" (10cm) in diameter.



Power Supply

At the back of the table are two independent ON/OFF toggle switches to control the entire table unit and a second for the LED lights.



draping
Space Station
 video demo

draping video demo online
www.pedigo-usa.com

new!



space station

electric adjustable back table

Pedigo's **NEW** Space Station back table is now electro-hydraulically height adjustable and LED illuminated for improved visibility.

efficiency • ergonomic • safety

For patient and staff safety, the Space Station Two-Tier Back Table meets the highest hospital safety standards. IEC 60601-1 and UL approved E 503 186 approved.



Elevate & Illuminate Table
 CDS-3060-ADJ-E ... 5' table (1.5m)
 CDS-3072-ADJ-E ... 6' table(1.8m)



Illuminate Table
 CDS-3060-L 5' table (1.5m)
 CDS-3072-L 6' table(1.8m)



Upper tier in storage position

Upper tier being raised

Upper tier in raised position

